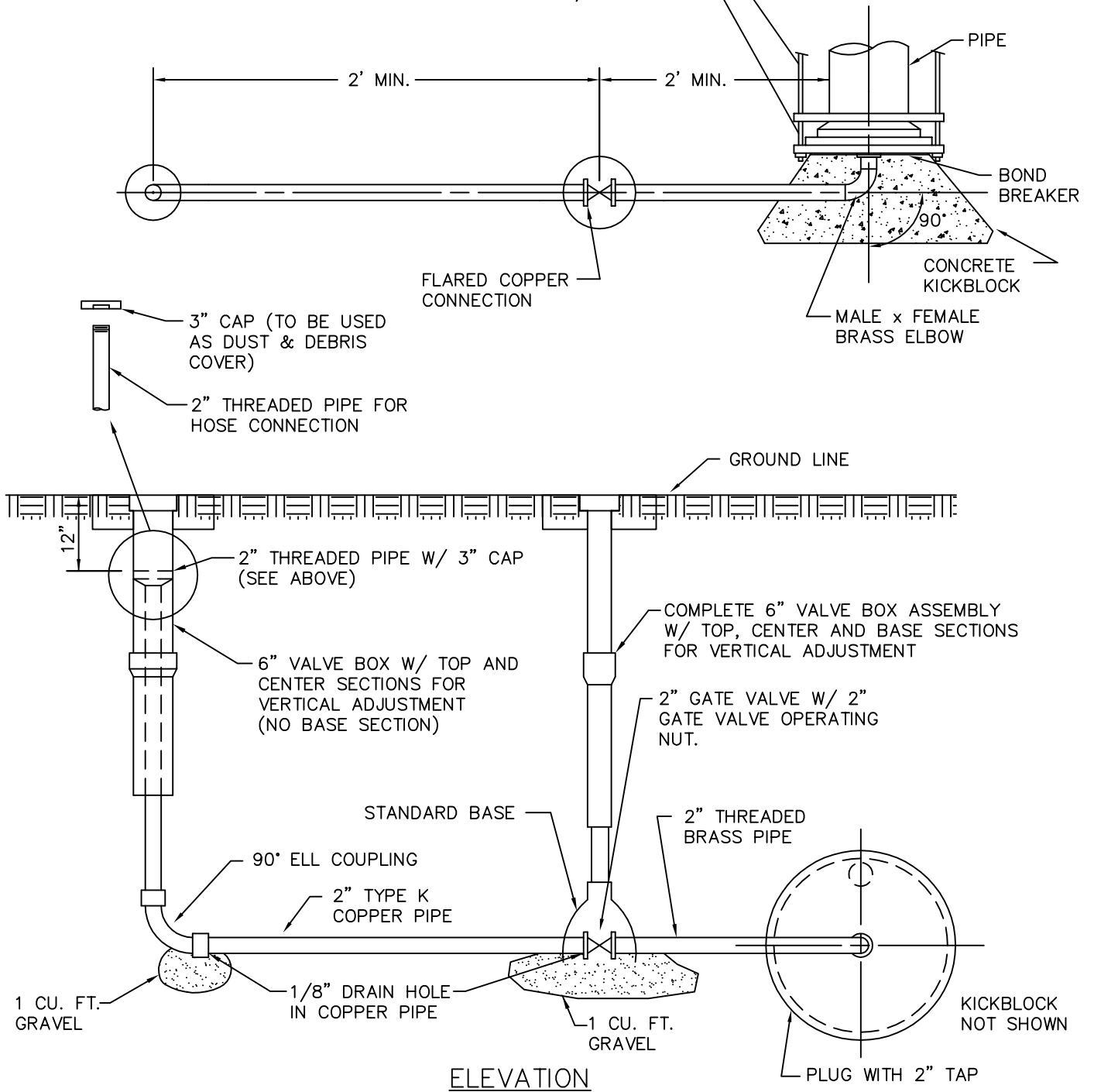


NOTE:
 PLUG SHALL BE MECHANICALLY RESTRAINED:
 A—FOR SLEEVE TYPE MACHINED COUPLING
 PIPE, TIE BACK TO NEXT COUPLING
 B—FOR BELL AND SPIGOT PIPE, TIE TO BELL



ELEVATION

BLOW-OFF