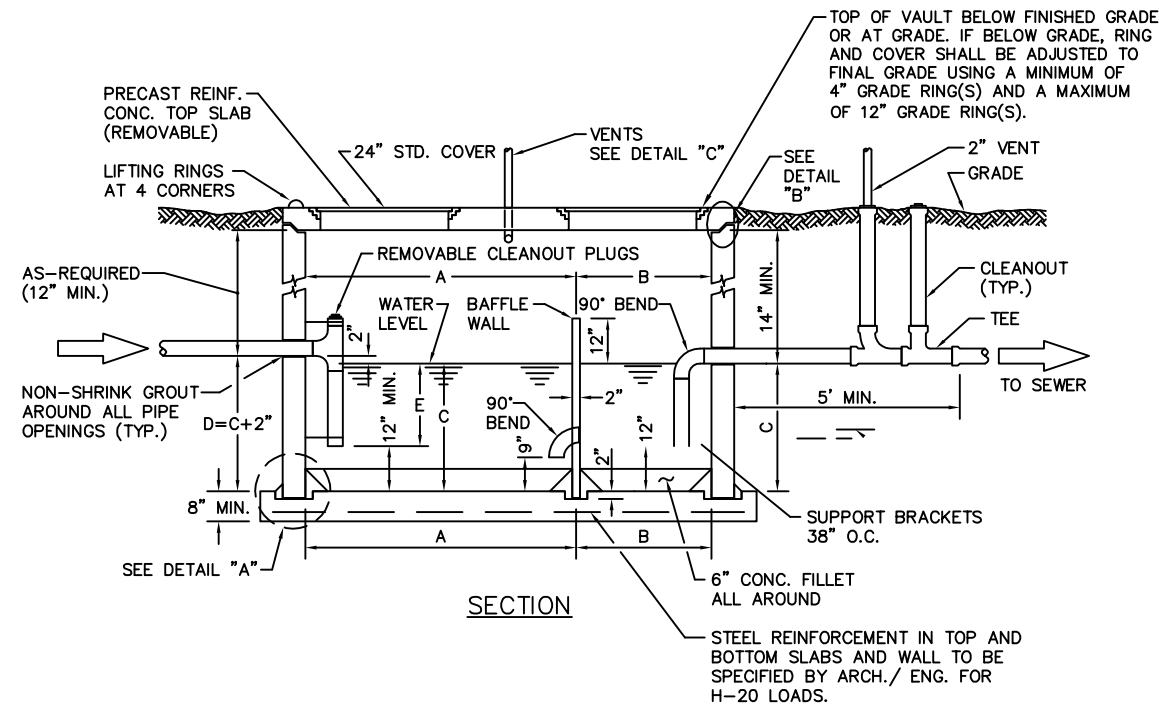
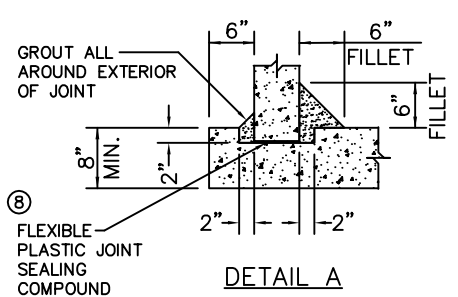


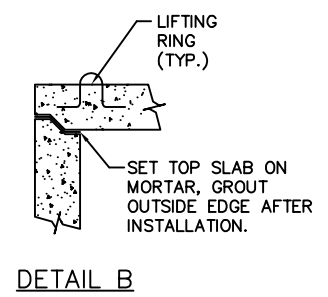
PLAN



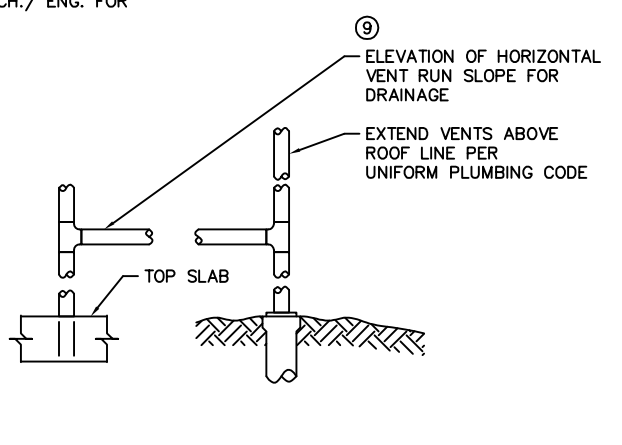
SECTION



DETAIL A



DETAIL B



DETAIL C

CAPACITY CHART

TOTAL WATER CAP. APPROX. (GALLONS)	GREASE CAP. APPROX. (CU. FT.)	DIMENSIONS (INCHES)						
		W	L	A	B	C	D	E
330	13	48	72	48	24	22	24	10
800	41	48	96	64	32	40	42	23
1190	61	72	96	64	32	40	42	23
1600	84	72	144	96	48	40	42	23
1840	103	72	144	96	48	46	48	28
2080	117	72	144	96	48	52	54	32
2560	150	72	144	96	48	64	68	41
3040	183	72	144	96	48	76	78	50
3280	202	72	144	96	48	82	84	55
3520	216	72	144	96	48	88	90	59

GENERAL NOTES:

1. THESE STANDARD DETAILS SHALL ONLY BE CONSTRUED TO SHOW CONCEPTUAL AND STANDARD DIMENSIONAL REQUIREMENTS FOR GREASE INTERCEPTOR AND SHALL NOT BE USED FOR CONSTRUCTION. THE ARCHITECT/ENGINEER SHALL FURNISH STRUCTURAL DESIGN CRITERIA, HYDRAULIC LOADING, VOLUME & RETENTION TIME REQUIREMENTS AND DETAILED CONSTRUCTION DRAWINGS, INCLUDING SITE PLAN FOR APPROVAL PRIOR TO CONSTRUCTION.
2. SECONDARY TANK HAS VOLUME EQUAL TO 1/3 OF TOTAL CAPACITY.
3. ALL PIPE AND FITTINGS TO BE CAST IRON SOIL PIPE (XH) EXCEPT WHERE NOTED OTHERWISE AND SHALL BE 4" MINIMUM DIAMETER.
4. WELLS, BOTTOM AND TOP SLAB TO BE REINFORCED THROUGHOUT. ADDITIONAL DIAGONAL REINFORCING TOP AND BOTTOM IS REQUIRED AROUND ACCESS OPENINGS. ALL REBAR SHALL HAVE A 3" MINIMUM COVER TO FACE OF CONCRETE.
5. THICKNESS OF WALLS, BOTTOM AND TOP SLAB TO BE DETERMINED FROM STRUCTURAL LOADING REQUIREMENTS BY ARCHITECT/ENGINEER. CAST-IN-PLACE BOTTOM SLAB SHALL NOT BE LESS THAN 8" THICK.
6. INLET AND OUTLET PIPE SIZES SHALL BE DETERMINED BY ARCHITECT/ENGINEER BUT SHALL NOT BE LESS THAN 4" DIAMETER (OUTLET PIPE INVERT TO BE 2" LOWER THAN INLET).
7. REINFORCED CONCRETE BOTTOM SLAB SHOWN. (MAY BE INTEGRALLY CAST WITH PRE-CAST WALL SECTIONS AT CONTRACTOR'S OPTION).
8. ALL JOINTS IN PRE-CAST SECTIONS TO BE SEALED WITH FLEXIBLE PLASTIC JOINT SEALING COMPOUND TO FED. SPEC. S-SS-C0210 (EXCEPT TOP SLAB).
9. VENT PIPE MATERIALS AND LOCATION SHALL BE IN ACCORDANCE WITH DISTRICT STANDARDS.
10. ROUND OR CIRCULAR GREASE INTERCEPTOR WILL REQUIRE SPECIAL DESIGN AND APPROVAL.
11. PRE-CAST CONCRETE SHAPES ARE SHOWN: CAST-IN-PLACE CONCRETE STRUCTURE IS OPTIONAL.
12. PRE-CAST REINFORCED CONCRETE SECTIONS SHALL BE IN ACCORDANCE WITH ASTM-C-478.
13. DESIGN CRITERIA: (MINIMUM)

UNIT WEIGHT OF "SOIL"	120 PCF
EQUIVALENT FLUID PRESSURE	30 PCF
LIVELOADS (IF APPLICABLE)	AASHTO H=20
CONCRETE STRENGTH (F _c)(TYPE II CEMENT)	4000 PSI

 TOP SLAB MAY BE ONE PIECE OF MULTIPLE SEGMENT CONSTRUCTION AT CONTRACTOR'S OPTION.
14. SUPPORT BRACKETS AND CLEAN-OUT PLUGS SHALL BE BRASS.
15. TOP SLAB IS NOT SHOWN IN PLAN VIEW.
16. OTHER VARIOUS COMBINATIONS OF TANK DIMENSIONS MAY BE SUBMITTED FOR APPROVAL, PROVIDED THAT ANY ALTERNATE DESIGN SHALL HAVE THE SAME BASIC PROPORTIONAL DIMENSIONS, COMPARABLE VOLUMES AND FUNCTIONAL CAPABILITIES AS THESE STANDARD DETAILS.
17. DRAWINGS ARE NOT TO SCALE.
18. DEPENDING ON SEWAGE LOADING TYPE. SAMPLING STATION MAY BE REQUIRED. DISTRICT TO DETERMINE UPON REVIEW.

SOUTHGATE
Water & Sanitation Districts
3722 EAST ORCHARD ROAD
LITTLETON, CO 80121
(303) 779-0261
FAX (303) 779-0220

**COMMERCIAL
GREASE
INTERCEPTOR**