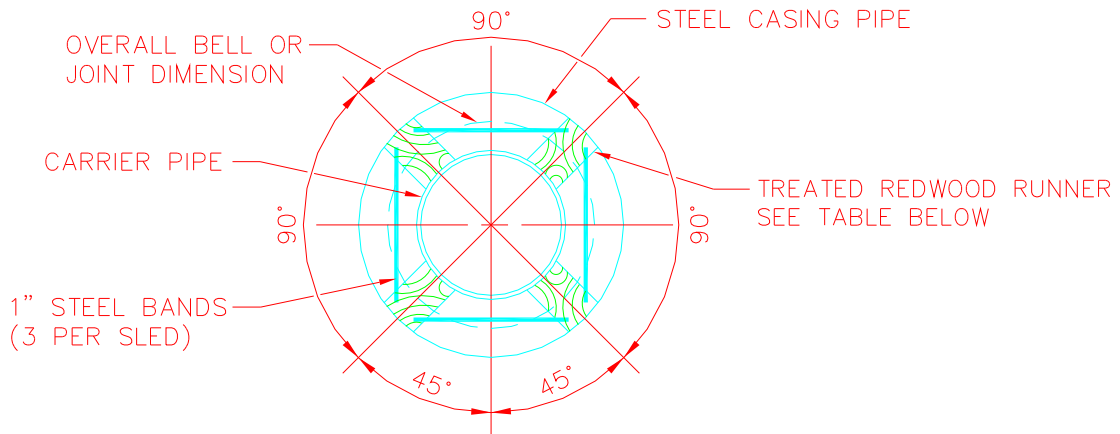


SLED DETAIL



NOTE:
NEOPRENE OR PVC RUNNERS MAY BE USED AS AN ALTERNATIVE TO TREATED REDWOOD.

PIPE CASING DETAIL

PIPE DIA.	CASING PIPE		RUNNER SIZE
	MIN. O.D.	MIN. WALL THICKNESS	
8"	18"	0.282"	4" x 4"
10"	20"	0.344"	4" x 4"
12"	22"	0.344"	4" x 4"
15"	26"	0.377"	4" x 4"
18"	30"	0.440"	4" x 4"
21"	32"	0.469"	4" x 4"