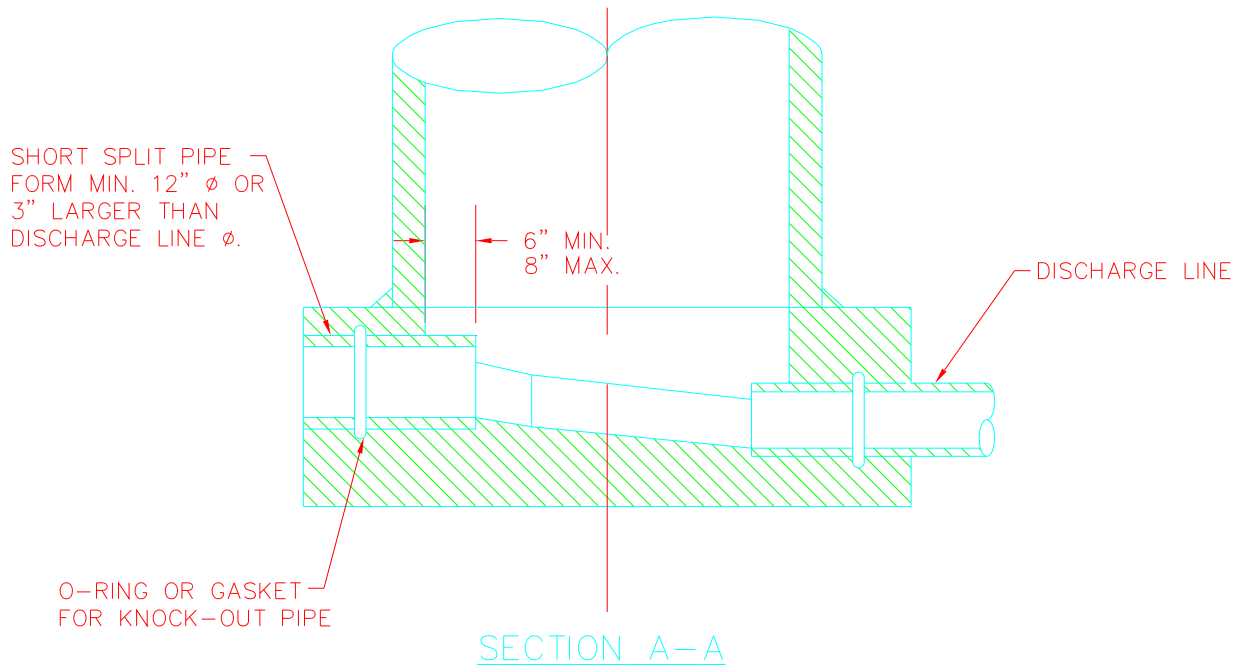


NOTE:
 "BLOCK-OUT" OPENING IN BASE SHALL BE FORMED WITH A SHORT PIECE OF "SPLIT PIPE" AND BENCH FORMED ACCORDINGLY. THE PIPE SHALL BE A MINIMUM OF 12" IN DIA. OR 3" LARGER THAN THE DISCHARGE LINE SIZE. AN "O" RING GASKET SHALL BE USED ON THE LINE TO FORM A GASKET "KEY" FOR USE WHEN THE FUTURE PIPE IS CONSTRUCTED. AFTER THE CONCRETE HAS SET THE "SPLIT PIPE" SHALL BE BROKEN OUT AND THE HOLE CLOSED WITH BRICK AND MORTAR.



MANHOLE
 BLOCKOUT